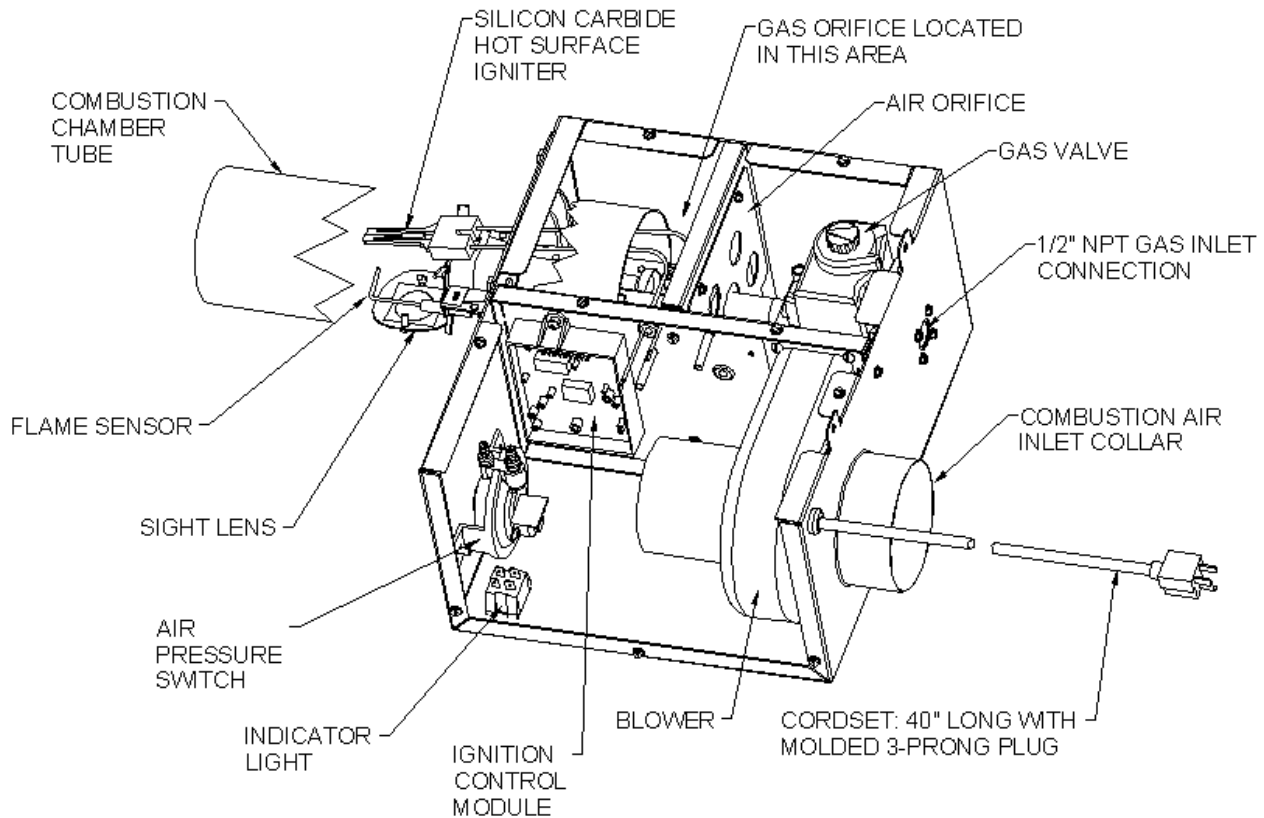


SERVICE PARTS LIST



ALL MODELS

Description	Part number
Igniter	2381500
Flame sensor	2382200
Blower (fan)	2381200
Ignition module	2382900
Wire harness *	2383100
Lens	2382700
Emitter tube 10ft black *	2381001
Emitter tube 5ft black *	2381020
Emitter tube 10ft alum-a-therm *	2381000
Coupler, tubing *	2384099
Reflector 10ft. *	2381700
Reflector 5ft. *	2381701
Hanger, wire form *	2372000
Pilot light	2382800
Cordset	2383700

Items marked with * are not shown.

GAS VALVES

Fuel	Part number
Natural gas	233000
L.P. (propane)	2382500

AIR PRESSURE SWITCHES

Input rate (MBTUH)	Natural Gas	L.P. (propane)
40	2383286	2383286
60	2383275	2383291
75	2383275	2383286
100	2383275	2383258
125	2383286	2383286
150	2383258	2383258
175	2383238	2383238
200	2383238	N/A

HIGH ALTITUDE MODELS When installing or servicing units designed for use above 2000ft (US) and 4500ft (Canada) refer to the Input Rating listed on the Product ID Label containing the CSA Logos as well as the chart located at the back of this document.