

⚠ WARNING



ELECTRICAL SHOCK HAZARD

- Failure to follow these instructions can result in death or electrical shock.
- Disconnect electrical power before installing or servicing!
- Never operate heater without service door in place and secured.

The requirements and practices described here are based upon the National Electrical Code ANSI/NFPA No. 70 (current revision). Local electrical codes may vary and therefore local inspection authorities should be consulted regarding local requirements.

AgRadiant AR series heaters shall be connected to a power supply branch circuit fused at not more than 125% (or the next higher available fuse size) of the circuit load.

Heaters are Factory wired to be controlled by LINE-VOLTAGE thermostats wired to break the hot (L1) conductor.

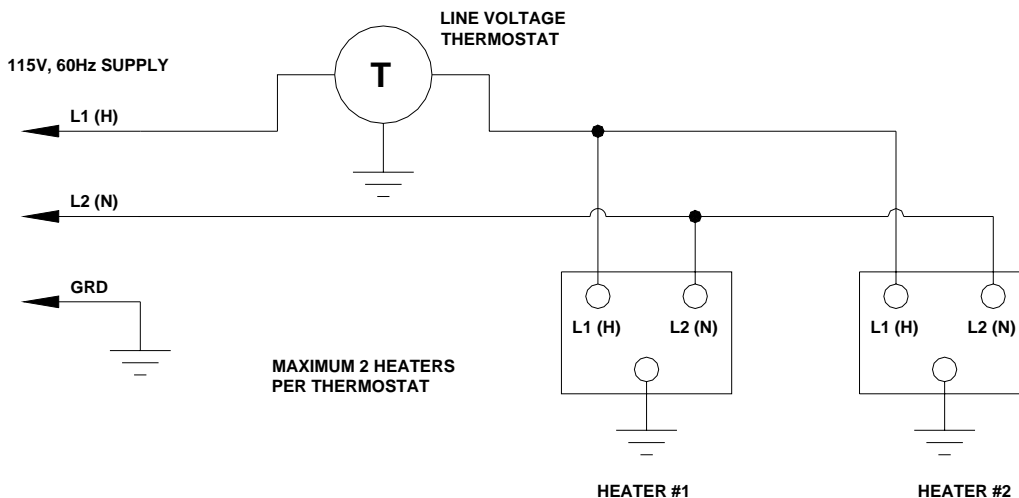
SPECIFICATIONS

- 120V, 60Hz.
- 5.0 FLA during ignition sequence
- 1.2 FLA during heating sequence.
- Cordset: 18/3 SJT 40in (101cm) long, NEMA 5-15P plug, 15A max.

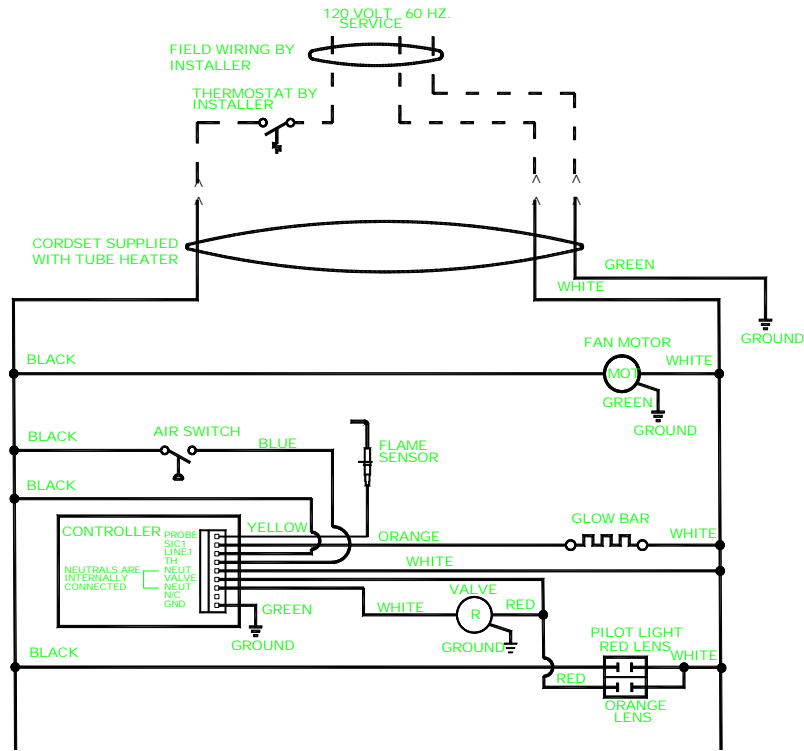
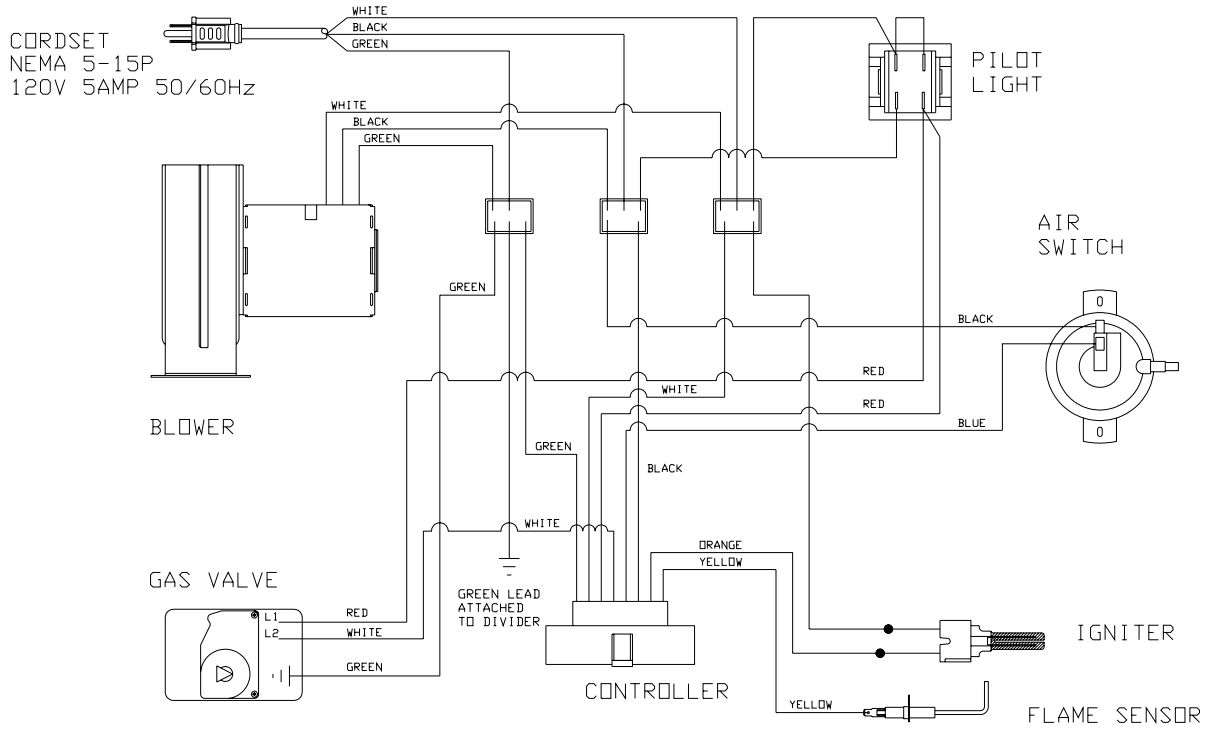
Electrical service to each burner shall be through the installation of a duplex NEMA 5-15R receptacle within an approved electrical box and located such that there is no tension on the supplied cordset. **DO NOT ROUTE CORDSET OVER OR UNDER REFLECTORS/TUBING. CLEARANCES TO COMBUSTIBLES (cordset) MUST BE MAINTAINED.**

Up to two AgRadiant AR series heaters may be fed from parallel-wired receptacles on the same circuit rated 120V with a minimum of 15A.

For 24Volt Thermostat control; Thermostat Kit FTH24V (p/n 08886500) must be installed.



INTERNAL WIRING DIAGRAMS



LADDER WIRING DIAGRAM